



# MANUAL PUMP FOR OIL AND GREASE

Serial 26 System

## INSTRUCTION AND PRODUCT DATA SHEET

152701  
153501  
153701

ENGLISH

### DESCRIPTION:

Manual Pumps with special light alloy die-cast body with hardened, ground and lapped piston and forged steel lever.

The pumps are fitted with a maximum pressure valve, non-return valve and outlet filter. Grease pumps have a filling attachment.

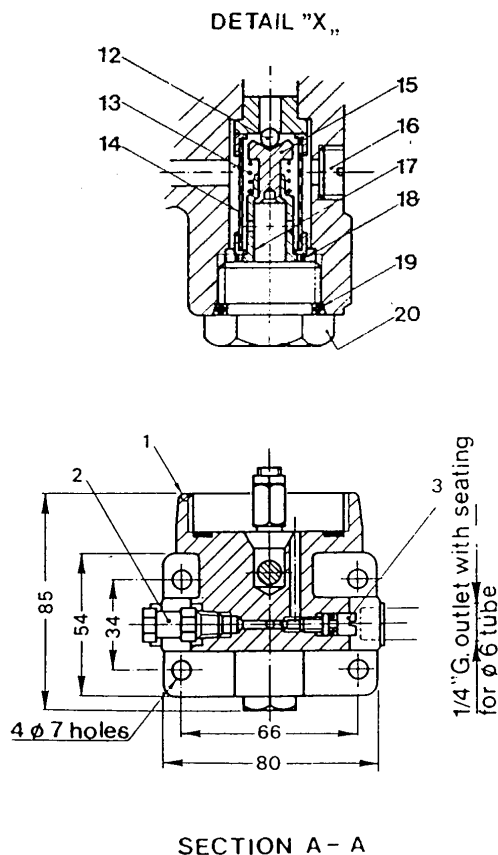
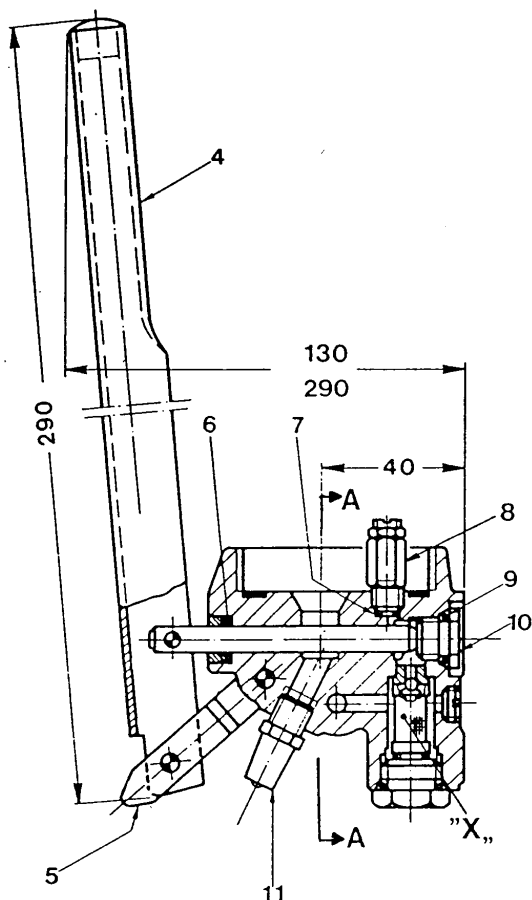
The pumps are available with 3 types of reservoir.

### SPECIFICATION:

- Delivery:** 1,7 cc. per stroke.
- Max pressure:** 100 bar.
- Outlets:** G1/4" with cone seat for  $\varnothing 6$  tube.

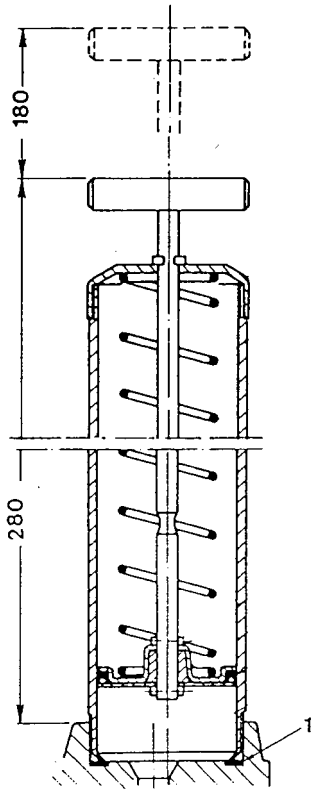
### INSTALLATION/OPERATION:

#### Assembly Details:

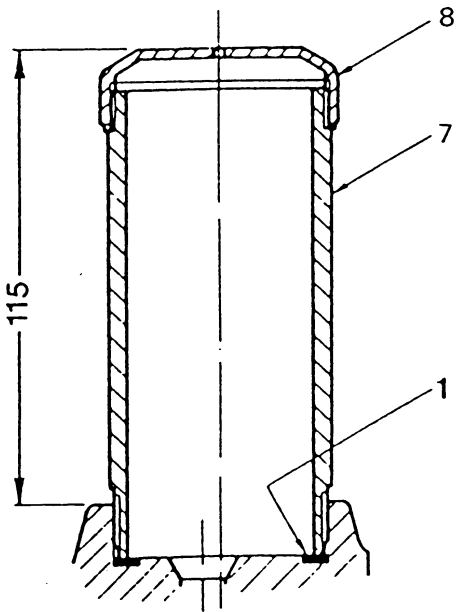


**Reservoir Details:**

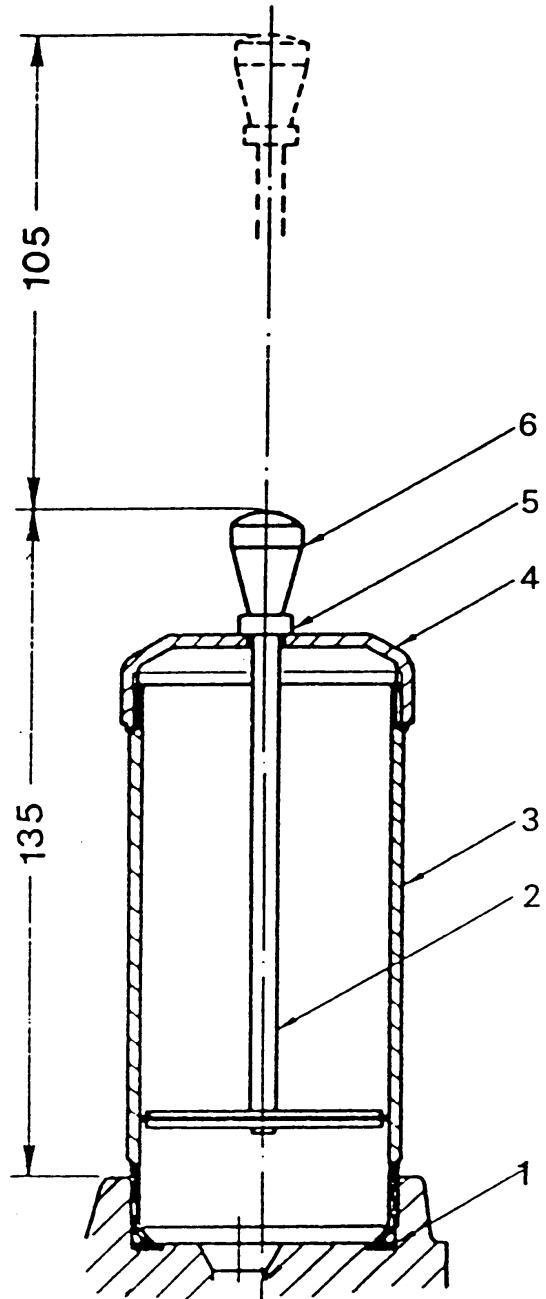
**Reservoir for Pump  
Part No. 152701. Capacity 340 cc.**



**Reservoir for Pump Part No. 153701.  
Capacity 270 cc.**



**Reservoir for Pump Part No. 153501.  
Capacity 300 cc.**



## TEST PROCEDURES:

Available on request.

## ORDERING INFORMATION:

Part No.	Description
<b>153701</b>	Pump complete with transparent reservoir for oil with a capacity of 270 cc.
<b>153501</b>	Pump complete with reservoir for soft grease (grade 0) with a capacity of 300 cc. and follower plate with level indicator rod. fill from above by unscrewing the cap.
<b>152701</b>	Pump complete with reservoir for grade 1 or 2 grease with a capacity of 340 cc. and a spring loaded follower plate. Level indicating rod of the positive pressure type.

## SPARES:

### Pumps:

Item.	Description	Part No.
1.	Body with piston for: Pump Part No. 152701	<b>3072222</b>
1.	Body with piston for: Pump Part No. 153501 - 153701	<b>3072221</b>
2.	Pressure indicator.	<b>3290008</b>
3.	Pin.	<b>153023</b>
4.	Lever.	<b>153011</b>
5.	Link.	<b>153018</b>
6.	Seal.	<b>3190002</b>
7.	Seal.	<b>125030</b>
8.	By-pass valve.	<b>128050</b>
9.	Seal.	<b>58382</b>
10.	Plug.	<b>3234161</b>
11.	Filling valve for Pump Part No. 152701 only.	<b>2037000</b>
14.	Filter.	<b>712100</b>
15.	Check valve.	<b>3089057</b>
16.	Plug.	<b>3232111</b>
18.	Seal.	<b>18808</b>
19.	Seal.	<b>61104</b>
20.	Plug.	<b>3234130</b>

**U.K.**  
Dropsa (UK) Ltd.  
Unit 6, Egham Business Village,  
Egham,  
Surrey, TW20 8RB  
Tel: (+44) 01784 - 431177  
Fax: (+44) 01784 - 438598  
E-mail: salesuk@dropsa.com

**U.S.A.**  
Dropsa Corporation  
50679 Wing Drive  
Utica,  
Michigan 48315,  
Tel: (+1) 810-566-1540  
Fax: (+1) 810-566-1541  
E-mail: salesusa@dropsa.com

**AUSTRALIA**  
Dropsa Australia Pty.  
No. 7 Warringah Road  
Dea Why  
NSW 2099  
Tel: (+61) 2 9905 0410  
Fax: (+61) 2 99394142  
E-mail: sales@dropsa.com

**GERMANY**  
Dropsa GmbH.  
Volmerswerther Strasse 80  
40221 Dusseldorf 1,  
Deutschland  
Tel: (+49) 0211-394-011  
Fax: (+49) 0211-394-013  
E-mail: sales@dropsa.de

**ITALY**  
Dropsa Spa  
Via B. Croce, 1 - 20090  
Vimodrone (MI)  
Tel: (+39) 02 - 250.79.1  
Fax: (+39) 02 - 250.79.767  
E-mail: sales@dropsa.it (Export)  
E-mail: vendite@dropsa.it (National)

## Reservoirs:

Item.	Description.	Part No.
1.	Seal.	<b>275037</b>
2.	Follower plate.	<b>153014</b>
3.	300 cc. Reservoir.	<b>153006</b>
4.	Cap.	<b>275014</b>
5.	Collar.	<b>153021</b>
6.	Knob.	<b>128023</b>
7.	270 cc. Reservoir.	<b>153201</b>
8.	Cap.	<b>153202</b>

## SAFETY REQUIREMENTS:

Dropsa Manual pumps for oil and grease must be installed and operated in accordance with the requirements of this instruction sheet. They must not be used for any purpose other than that specified without the agreement of the suppliers.

Apart from the need to observe general safety requirements there are no specific hazards associated with the use of these pumps.

## OPERATING ENVIRONMENT:

Dropsa Manual Pumps for oil and grease must not be operated immersed in fluid or in excessively aggressive or corrosive environments.

Contact our Technical Office for specific applications.

## DIAGNOSTIC TABLE:

Failure	Probable cause.	Remedy.
To be added		



© Copyright Dropsa - all rights reserved. Reproduction of any part of this document is strictly forbidden without prior consent from Dropsa. Dropsa reserve the right to withdraw or modify specifications without prior notice.