



# 999000 SERIES MOTORIZED PUMPS

For Oil or Grease Dual-Line Systems

999000

ENGLISH

## PRODUCT DATA SHEET

### DESCRIPTION

Modular pumps particularly suitable for the lubrication of small to medium sized machinery. They are used for different types of oil or grease lubrication systems and in a very large range of applications because of their high quality, high performance and low cost.

The modular construction of the 999000 series enables easy dismantling for maintenance, guarantees very high reliability and allows very fast adjustment of the pumping units for different operating conditions.

### Basic 999000 Pumps Include:

- Electric Motor
- Reduction Unit
- Single or Double Pumping Units
- Steel Reservoir

### SPECIFICATIONS

Operating Pressure: 750 Bar (11,000 PSI)

Delivery:

Fixed: Up to 33 cm<sup>3</sup>/minute @ 1500 RPM

Adjustable: Up to 51 cm<sup>3</sup>/minute @ 2200 RPM

Lubricant:

Oil: Minimum 15 cSt

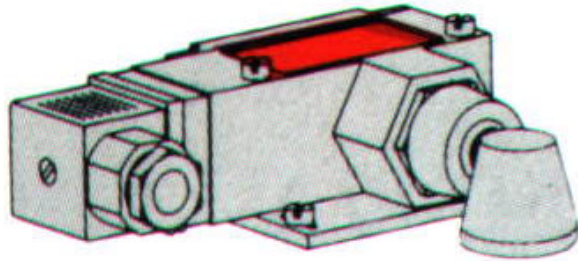
Grease: Maximum NLGI-2 (-20° C. to +100° C.)



Type of Motor And RPM	Adjustable Delivery		Max. Pressure PSI (BAR)	Part No. s				Type				Capacity				Transparent Capacity	Reservoir Grease
	cm <sup>3</sup> /minute			Cu. In. / minute		Grease	Maximum	NLGI 3	Oil Viscosity				Min. 15	cSt	Maximum	NLGI-0	
	Minimum	Maximum		Minimum	Maximum	3 Kg. 6.6 Lb.	5 Kg. 11 Lb.	10 Kg. 22 Lb.	30 Kg. 66 Lb.	3 Liter	5 Liter	10 Liter	30 Liter	3 Kg. 6.6 Lb.	5 Kg. 11 Lb.		
AC 1500 RPM	1.4	8.5	.08	.6	11,000 (750)	999234	999214	999224	999204	999244	999264	999274	999254	999414	999424		
	2.5	17	.15	1	5800 (400)	999236	999216	999226	999206	999246	999266	999276	999256	999416	999426		
	5	33	.30	2	2900 (200)	999232	999212	999222	999202	999242	999262	999272	999252	999412	999428		
DC 24V 2200 RPM	2	14.5	.12	.9	11,000 (750)	999634	999614	999624	999604	999644	999664	999674	999654	999684	999694		
	3.6	25.5	.22	1.5	5800 (400)	999636	999616	999626	999606	999646	999666	999676	999656	999688	999696		
	7.2	51	.44	3	2900 (200)	999632	999612	999622	999602	999642	999662	999672	999652	999682	999698		
Fixed Delivery																	
AC 1500 RPM	8.5		.6		11,000 (750)	999334	999314	999324	999304	999344	999376	999374	999354	999514	999524		
	17		1		5800 (400)	999336	999336	999326	999306	999346	999366	999364	999356	999516	999526		
	33		2		2900 (200)	999332	999312	999322	999302	999342	999362	999372	999352	999512	999522		
DC 24V 2200 RPM	14.5		.9		11,000 (750)	999734	999395	999724	999704	999744	999764	999774	999754	999784	999794		
	25.5		1.5		5800 (400)	999736	999712	999726	999706	999746	999776	999776	999756	999786	999796		
	51		3		2900 (200)	999732	999716	999722	999702	999742	999762	999772	999782	999782	999792		



**Maximum Electric Level Contact**



All metal reservoirs (except 3 and 5 Liter) can be supplied with a maximum level contact for automatic re-filling of the reservoir.

**For Grease Reservoirs Part No. 299197**  
**For Oil Reservoirs Part No. 291155**

**Pressure Gauge**

Available for different pressure ranges.  
**Part No. 299196 for 0-500 Bar**  
**Part No. 291395 for 0-1000 Bar**



**Assembly Kit**

999000 Series pumps can be equipped with an assembly kit, consisting of: Re-Filling Filter, Pressure Gauge, Safety By-Pass Valve and Base Plate.

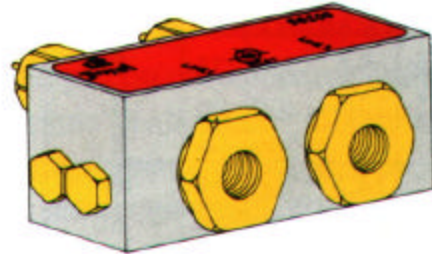
To order the assembly kit see the table below:

Last Digit of Pump Part Number	Assembly Kit With	
	1 Pumping Unit	By-Pass Valve 2 Pumping Units
4	299462	299463
6	299462	299463
2	299474	299475

**Change Over Valve (Inverter)**

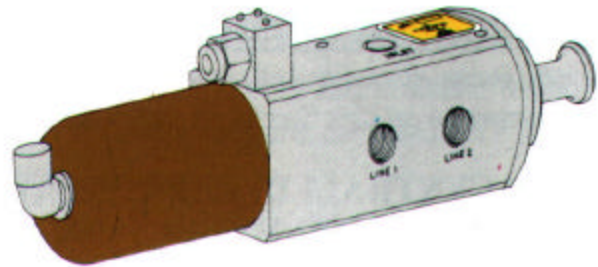
For use with Dual Line Lubrication Systems. An adjustable change over valve (automatic change over when the pressure exceeds a fixed value) available in the following types:

**Hydraulic Inverter**



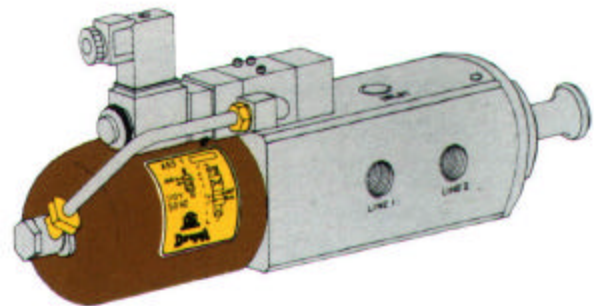
**Part No. 86198** for Pressures up to 50 BAR  
**Part No. 86199** for Pressures up to 300 BAR  
**Part No. 86200** for Pressures up to 200 BAR

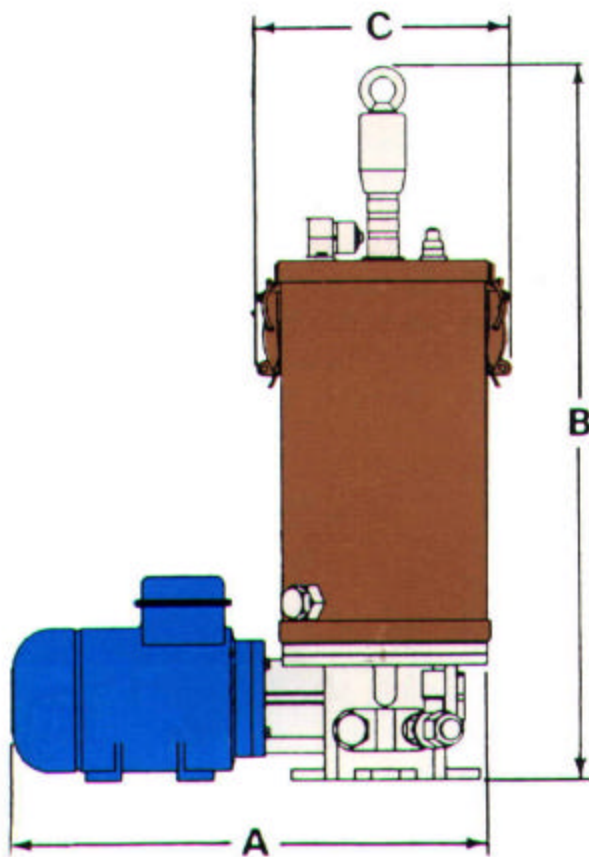
**Pneumatic Inverter Part No. 83301**



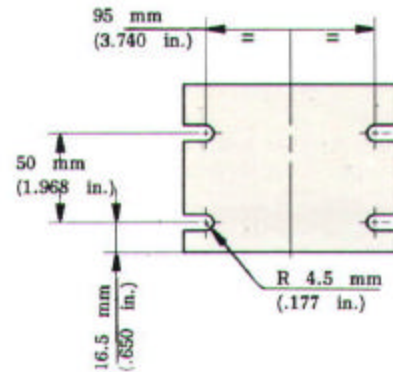
**Electro Pneumatic Inverter**

**Part No. 83300** for 110 Volt 50 Hz  
**Part No. 83304** for 220 Volt 50 Hz  
**Part No. 83308** for 24 Volt 50 Hz  
**Part No. 83309** for 24 Volt DC

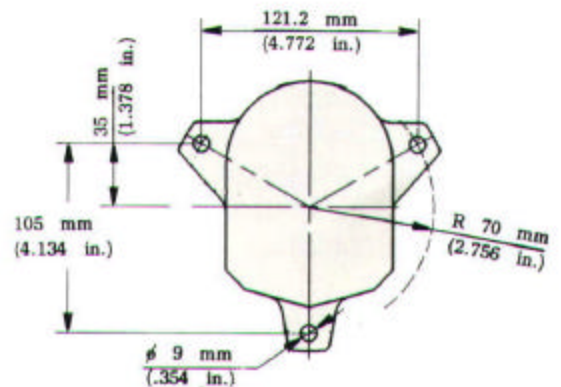




### WALL MOUNTING



### BASE PLATE MOUNTING



Pump Kg / Lt	Dim. In		MM		
	A	B	C	D	E
3	390	340	220	160	292
5	390	400	220	160	292
10	442	505	220	262	292
30	472	673	220	262	292

U.S.A.  
DropsA USA Incorporated  
60679 Wing Drive  
Utica, Michigan 48315  
Telephone (810) 566-1540  
Fax (810) 566-1541  
E-mail: sales@dropsausa.com

U.K.  
DropsA (UK) Ltd.  
Unit 6, Egham Business Village  
Egham, Surrey TW20 8RB  
Telephone (+44) 01784-431177  
Fax (+44) 01784-438598  
E-mail: salesuk@dropsa.com

AUSTRALIA  
DropsA Australia Pty.  
No. 7 Warringah Road  
Dee Why, NSW 2099  
Telephone (+61) 2 9905 0410  
Fax (+61) 2 9939 4142  
E-mail: sales@dropsa.com

GERMANY  
DropsA GMBH  
Volmerswerther Strasse 80  
40221 Dusseldorf 1,  
Deutschland  
Telephone (+49) 0211-394-011  
Fax (+49) 0211-394-013  
E-mail: sales@dropsa.de

ITALY  
DropsA SpA  
Via B. Croce, 1 20090  
Vimodrone (MI)  
Telephone (+39) 022507971  
Fax (+39) 0225079767  
E-mail: sales@dropsa.it